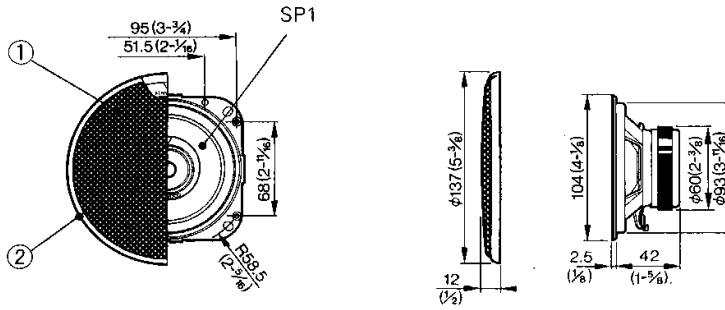


DOOR/REAR DECK SPEAKER  
**KFC-1065**  
 SERVICE MANUAL

**KENWOOD**

©1996-1 PRINTED IN JAPAN  
 B51-6948-00 (MC) 1342

**EXTERNAL VIEW**



Unit: mm (inch)

**PARTS INCLUDED**

- ① ..... × 2
- ② ..... × 2
- ③ 3m(10ft) ..... × 2
- ④ φ4×20 ..... × 8
- ⑤ ..... × 8
- ⑥ ..... × 1

**PARTS LIST**

★ New parts  
 Parts without **Parts No.** are not supplied.  
 Les articles non mentionnés dans le **Parts No.** ne sont pas fournis.  
 Teile ohne **Parts No.** werden nicht geliefert.

Ref No.	New Parts	Parts No.	Description
①	★	F09-1128-08	Protector
②	★	B06-0978-08	Grille
③	★	E30-5284-08	Speaker cord
④, ⑤		N99-1242-08	Screw set
⑥		J69-0111-08	Adhesive tape
SP1	★	T15-0306-08	Speaker

**SPECIFICATIONS**

- Speakers
- Woofers ..... 104mm (4in) Water Resistant Cone Type  
 100g (3.6oz) Magnet
  - Tweeter ..... 35mm (1-3/8in) Balanced Dome Type
  - Peak Power ..... 60 Watts
  - Frequency Response ..... 60Hz~20,000Hz
  - Sensitivity ..... 90dB/W at 1m
  - Impedance ..... 4 Ohms
  - Net Weight With Grille ..... 800g (1.8lb)/Pair

**Note:** \_\_\_\_\_  
 We follow a policy of advancements in development.  
 For this reason specifications may be changed without notice.

**INSTALLATION**

